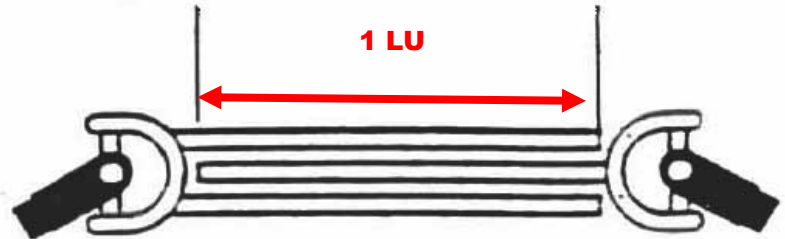


LU = Overlapping Length

PTO Adjustment

Make sure the drive shaft length is compatible with the different working positions of the implement. If the PTO shaft is too long it might bind and damage may occur to unit / PTO / tractor. In the collapsed position, the driveline should be approximately 2" from bottoming out.

Minimum Working Length is total overlap

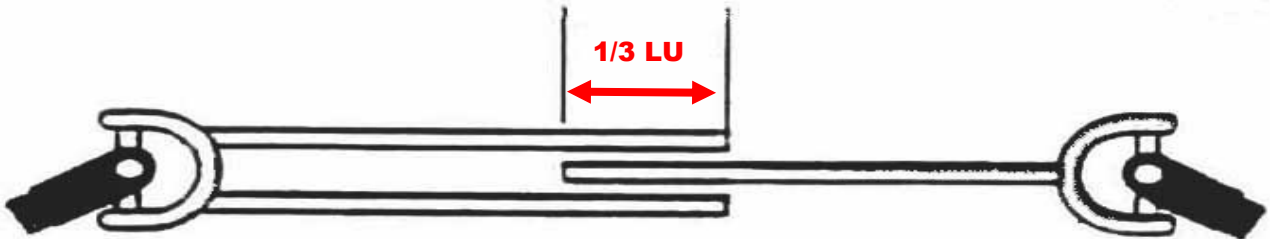


To measure & trim the PTO: Read and follow the instructions in the operator's manual from the PTO manufacturer. If the PTO is too long, **both** PTO Halves must be shortened by equal amounts.

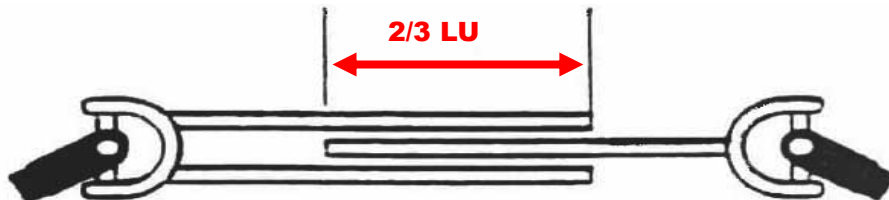
Danger!

To prevent accidental engagement, cut the engine and REMOVE the keys while handling the PTO

Maximum Working Length is overlap of at least 1/3 LU—Verify using manufacturer's specifications of PTO used



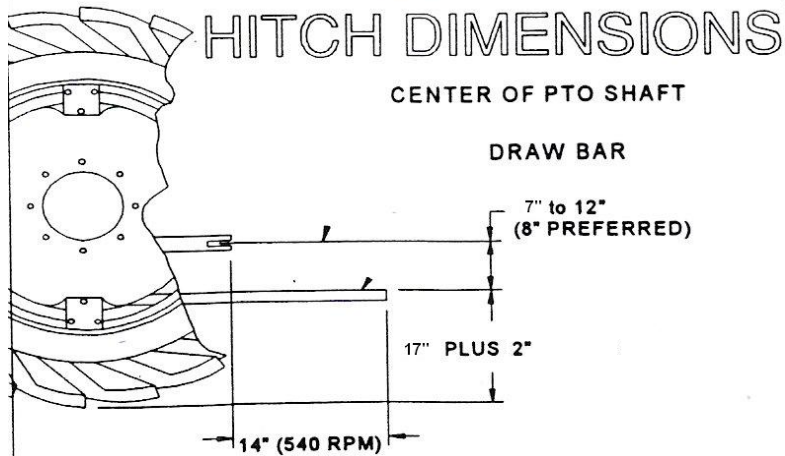
Suggested Working Length is overlap of 2/3 LU



Failure to make these adjustments will damage the unit and/or cause personal injury.

PTO Adjustment

The tractor draw bar and PTO must conform to ASAE specifications shown in illustration below for proper PTO operation.



Adjust the spreader hitch so the spreader is essentially level. Connect the safety chains to the tractor. Connect surge breakaway chain to tractor. Attach and secure, using approved hitch pin for load.



CAUTION: Always work with the driveline as straight as possible. This will guard against damage to PTO, unit or tractor.

Attach the PTO according to the pump instructions. The PTO mounting bar and chain should be attached so that the pump will not rotate. Know the direction of rotation

IMPORTANT!



In June 2009 the Association of Equipment Manufacturers sent this warning letter member companies on the use of PTO adaptors for use on tractor PTO shafts. "These adaptors open up the possibility of over-speeding the machine that is being driven by the tractor by enabling connection of a machine designed for 540 RPM to a tractor PTO shaft designed to rotate at 1000 RPM. Additionally, the tractor PTO shield may not provide adequate shielding due to the length of the adapter and consequent rearward movement of the universal joint and its connecting yoke. These adaptors can also cause the driveline to be compressed more than what the original driveline design allows; this can cause damage to the tractor PTO.....To that end, **we recommend that the use of and/or selling of a PTO adaptor be stopped.**"



CAUTION: Lock the draw bar securely in both horizontal and vertical directions to avoid damage. PTO shaft must have full range of movement or will require adjustment.